

**AXOR Starck Organic**  
**2-handle basin mixer 80 with pop-up waste set**  
 Surfaces: **Chrome** Article Number: **12010000**



## Description

### product features

- consists of: 2-handle basin mixer, waste set
- ComfortZone 80
- projection 116 mm
- shower spray
- swiveling spray former
- flow rate at 3 bar: 3.5 l/min
- flow rate booster: 5 l/min
- ceramic cartridge for temperature control
- ceramic valve for volume control
- temperature limitation adjustable
- separation of temperature and volume control
- with isolated water conduction
- suitable for continuous flow water heaters
- pop-up waste set G 1¼
- connection dimension: DN15

## Technology

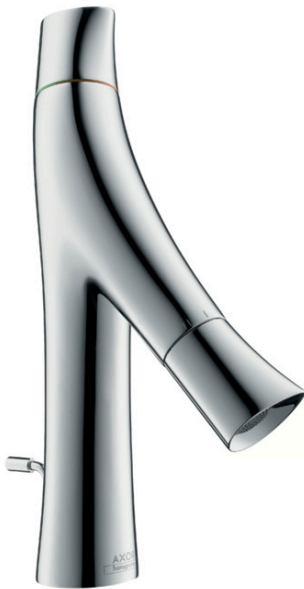


## Design awards

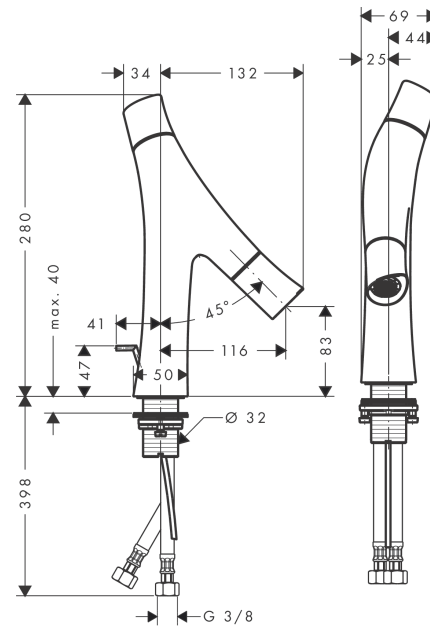


reddot design award  
 best of the best 2013

## Product image



## Scale drawing



**AXOR Starck Organic**  
**2-handle basin mixer 80 with pop-up waste set**  
 Surfaces: **Chrome**    Article Number: **12010000**



### Flowchart

